

GFX02/GFX04 SERIES

Conoflow's GFX Series Filters are used to provide clean air to instruments and other pneumatic devices. The 35 micron filter removes foreign particles from the air allowing intermediate and final control devices to operate at peak efficiency. Available in brass or aluminum construction, the GFX Series Filters cover most of today's instrument and industrial applications. Each filter has a maximum supply pressure rating of 300 PSI (2068 kPa). These units have two 1/4" NPT connections with an arrow on the cap denoting air flow direction. An optional center port is available. Designed for reliable, almost maintenance-free service.

PRINCIPLES OF OPERATION

The Conoflow GFX Series Filters provide instrument quality air by directing the supply air through a 35 micron filter. Remove moisture in the dripwell periodically by opening the draincock while the unit is under pressure.

Standard Specifications

Maximum Supply Pressure:

300 PSI (2068 kPa)

Connections:

1/4" NPT

Flow Capacity:

(100 PSI Supply): 77 SCM

Filter Rating:

35 Micron Polypropylene Blend (Standard)

Ambient Temperature Range:

-20°F to +150°F (-29°C to +66°C)

Approximate Shipping Weight:

GFX02 - 2 lbs. (0.91 Kg)

GFX04 - 2 lbs. (0.92 Kg)

Materials of Construction

Model	GFX02	GFX04
Bonnet	Brass	Aluminum
Bowl	Brass	Aluminum
Draincock	Brass	Brass

Dimensional Drawing A15-3 is available upon request.



GFX02/GFX04 SERIES

PRODUCT CONFIGURATION CODING

Product configuration coding is intended to provide a single source from which one can determine, in detail, the full scope of the product line. In addition to materials of construction, diaphragm selection and filtering capabilities, it also provides all necessary data, regarding adjustment options and range selections. Control Engineering Data also provides a means of communicating, by way of a code number, which is fully descriptive of the product selection.

NOTE: 1. Catalog numbers as received must contain seven (7) characters.

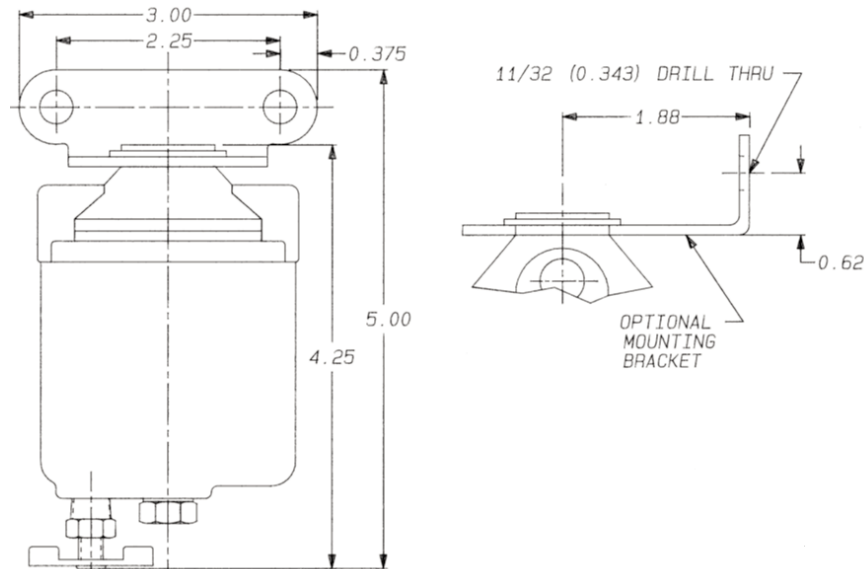
Ordering Sequence — Select desired option for each category

TEXT POSITION 1 through 5	OPTION CODE	DEFINITION OF CHARACTER
	GFX02	Filter-Filtration Only (No Regulation) Replaces GFX01 (Brass Construction)
	GFX04	Filter-Filtration Only (No Regulation) Replaces GFX03 (Aluminum Construction)

6		
A	FILTER OPTIONS	Filter - Cellulose (10 Micron)
B		Filter - Stainless Steel (40 Micron - Cleaned for Oxygen Service)
C		Filter - Stainless Steel (40 Micron)
X		Absence of Specification
NOTES		1. If options A, B or C are not specified, a 35 Micron, polypropylene blend filter will be supplied. 2. For non-standard filter adders, refer to price list.

7		
R	MOUNTING OPTIONS	Mounting Bracket
X		Absence of Specification
NOTES:		1. The body for the GFX02/GFX04 Series Filters are not machined to accept the mounting bracket. Unit(s) must be originally ordered with the "R" specified for field adapting the mounting bracket.

Dimension Specifications



Example

